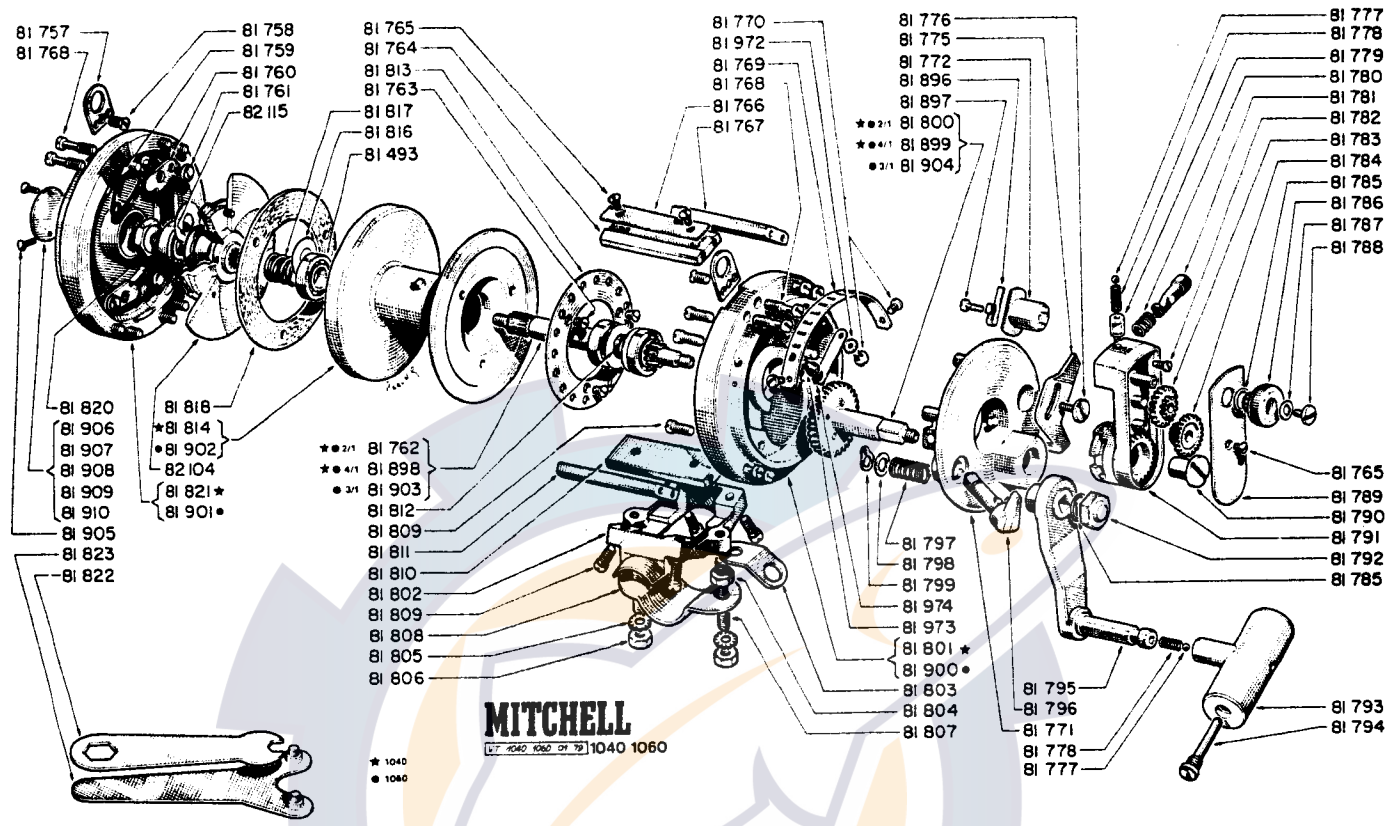


1040/1060



CODE NO.	DESCRIPTION	SUGGESTED RETAIL	CODE NO.	DESCRIPTION	SUGGESTED RETAIL
81493	Ball Bearing Stainless Steel	12.40	81801	Right Side Plate	116.30
81757	Harness Lug	10.50	81802	Reel Foot	52.05
81758	Harness Lug Screw	1.30	81803	Safety Lug	.80
81759	Anti Reverse Dog Spring	.20	81804	Stud Lock Nut	3.65
81760	Anti Reverse Dog	4.00	81805	Rod Clamp Lock Washer	.40
81761	Anti Reverse Dog Screw	1.85	81806	Rod Clamp Lock Nut	2.85
81762	Main Shaft (Ratio 2 / 1)	71.65	81807	Rod Clamp Stud	2.10
81763	Click Plate Screw	.90	81808	Rod Clamp	13.30
81764	Name Plate Pillar	27.60	81809	Reel Foot Drag Lever Plate Screw	1.05
81765	Name Plate Drag Lever Plate Screw	1.00	81810	Lower Pillar Front	29.45
81766	Name Plate	4.00	81811	Lower Pillar Rear	29.45
81767	Upper Pillar	24.00	81812	Ball Bearing Spacer	3.85
81768	Side Plate Screw	1.20	81813	Click Plate	4.90
81769	Drag Index Plate	8.00	81814	Spool	155.90
81770	Index Plate Screw	.90	81816	Ball Bearing Shield	.50
81771	Drag Lever Plate	154.60	81817	Main Shaft Spring	1.05
81772	Strike Stop Guide	5.80	81818	Ferodo Drag Plate	9.10
81775	Strike Stop Lever	8.50	81820	Main Shaft Hex Nut	3.40
81776	Strike Stop Lever Screw	2.20	81821	Left Side Plate	99.20
81777	Lube Port Ball	.25	81822	Utility Tool	.60
81778	Lube Port Ball Spring	.20	81823	Spanner Wrench	2.10
81779	Drag Index Dog	24.70	81896	Stop Guide Spring	1.60
81780	Release Button Spring	.60	81897	Stop Guide Spring Screw	1.30
81781	Drag Lever Release Button	23.20	81898	Main Shaft (4/1 Ratio)	58.40
81782	Release Button Screw	.65	81899	Drive Gear (4/1 Ratio)	76.00
81783	Drag Transfer Gear N 1	17.90	81900	Right Side Plate	117.85
81784	Drag Transfer Gear N 2	18.20	81901	Left Side Plate	100.70
81785	"O" Ring Seal	.85	81902	Spool	86.30
81786	Drag Adjusting Knob	22.10	81903	Main Shaft (3/1 Ratio)	62.80
81787	Drag Adjusting Knob Shim	.45	81904	Drive Gear (3/1 Ratio)	76.20
81788	Drag Adjusting Knob Screw	1.30	81905	Emblem Screw	.50
81789	Drag Lever Cover Plate	11.70	81906	Emblem 2 / 1	21.80
81790	Drag Lever Nut	5.10	81907	Emblem 4 / 1	21.80
81791	Main Drag Gear Lever Assembly	261.50	81908	Emblem 2 / 1	21.80
81792	Handle Lock Nut	10.00	81909	Emblem 3 / 1	21.80
81793	Handle Knob	43.60	81910	Emblem 4 / 1	21.80
81794	Handle Knob Screw	2.85	81972	Fan Washer	1.60
81795	Handle Shank	31.60	81973	Plunger	1.45
81796	Click Button	17.50	81974	Plunger Spring	2.65
81797	Click Button Spring	.30	82104	Ferodo Drag Plate w / Ratchet	144.00
81798	Click Button Washer	.40	82115	Spring Washer	.90
81799	Click Button "C" Lock	2.65			
81800	Drive Gear (Ratio 2 / 1)	71.90			